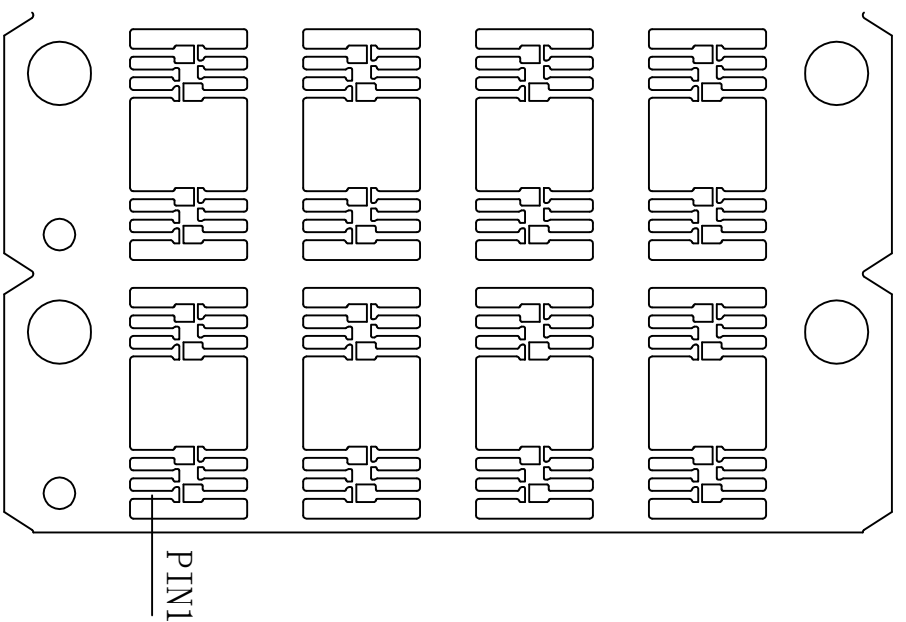
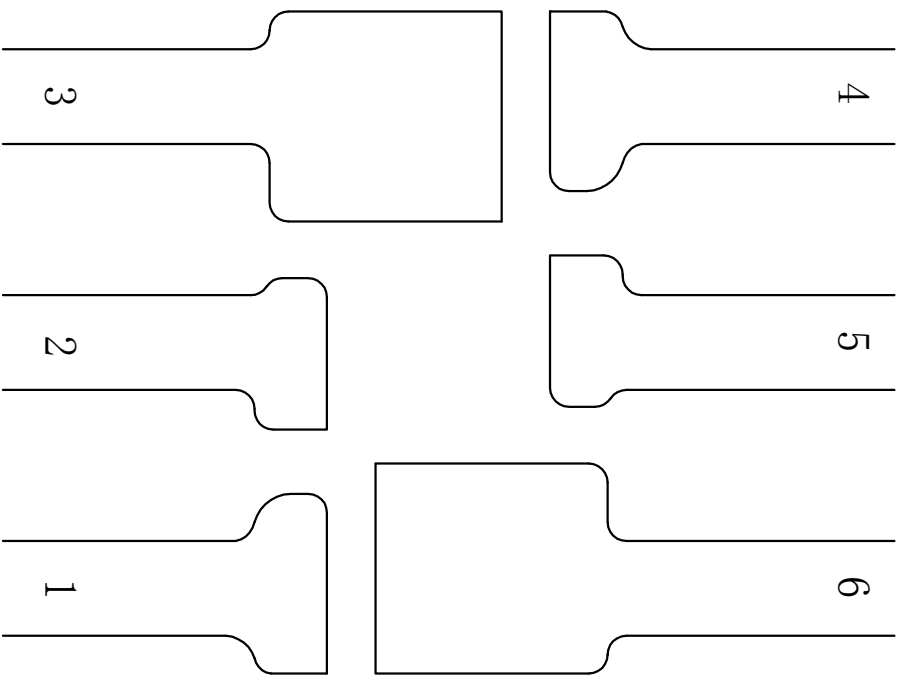
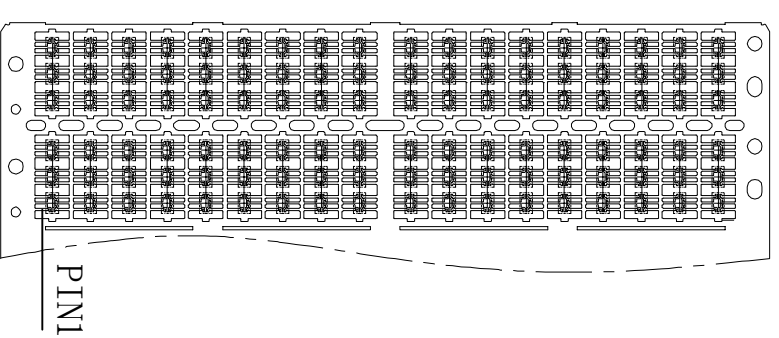
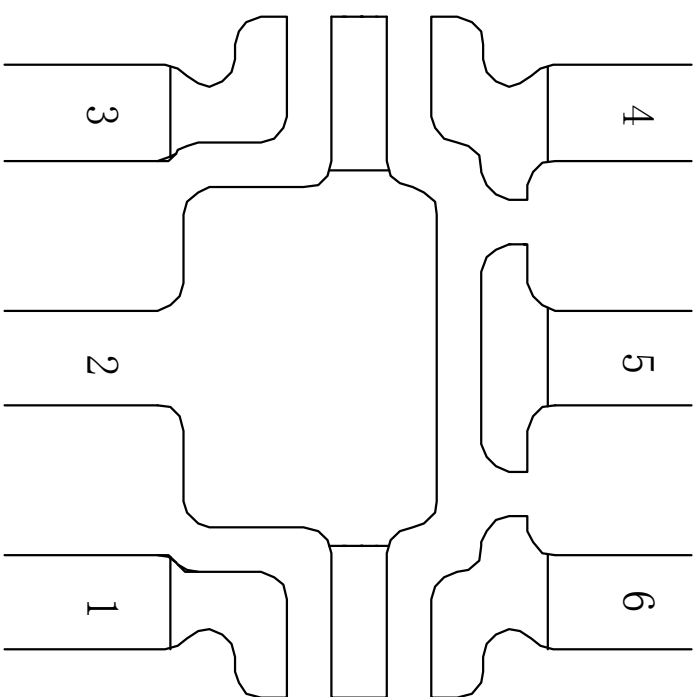


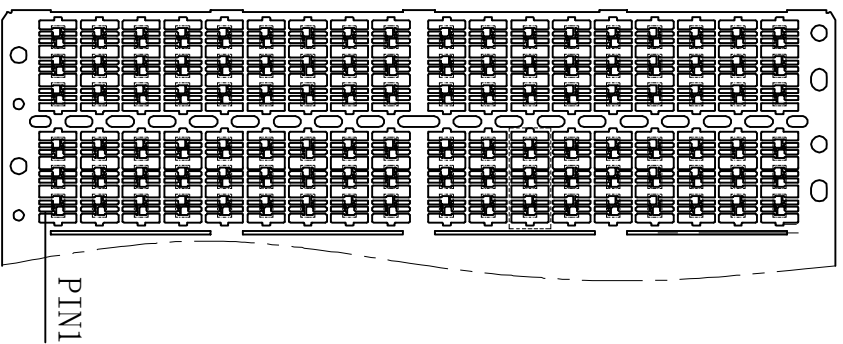
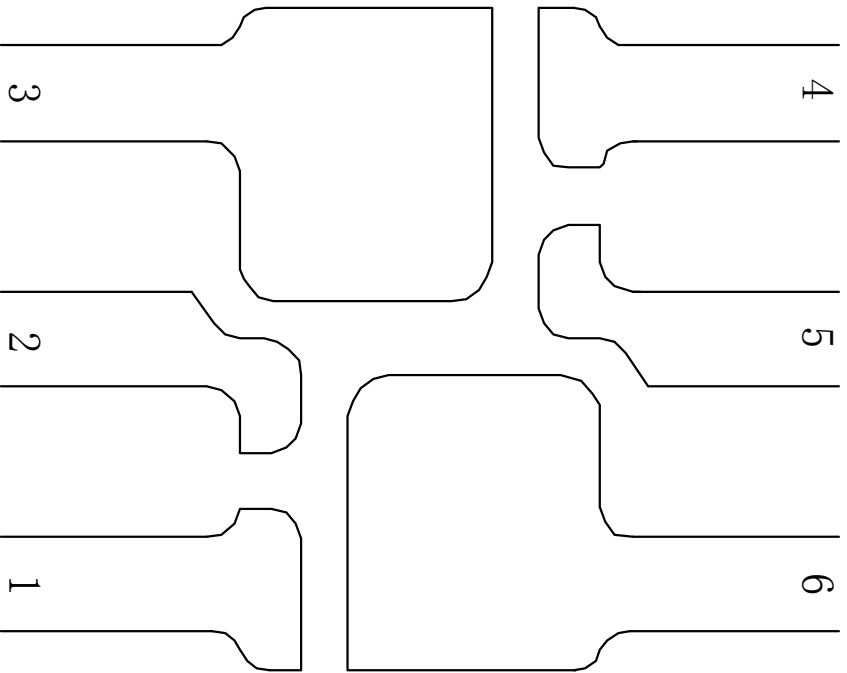
| | | | | | | | |
|------|--|-------|----------------------|--|--|--|--|
| FSMC | | L/F | SOT-363 4R (026*035) | | | | |
| | | Stage | 0.90mm*0.65mm | | | | |
| | | | | | | | |
| | | | | | | | |
| | | | | | | | |



| FSMC | |
|-------------|---------------------------------|
| L/F | SOT-363 4R (022*024+022*024) |
| Stage | 0.555mm*0.614mm+0.555mm*0.614mm |
| | |
| | |
| | |
| | |



| | | | | | | | |
|------|--|-----------------------|--|--|--|--|--|
| L/F | | SOT-363 18R (026*035) | | | | | |
| | | Stage | | | | | |
| FSMC | | | | | | | |
| | | | | | | | |



| | | | | | |
|------|--|---------------------------------------|--|--|--|
| L/F | | SOT-363 18R (026*031+026*031) | | | |
| | | Stage 0.775mm*0.667mm+0.775mm*0.667mm | | | |
| FPMC | | | | | |